

REEFER D-E

UNIT45

INTERMODAL INNOVATORS



45FT PALLETWIDE DIESEL-ELECTRIC REFRIGERATED CONTAINERS

UNIT45 has recently developed a new diesel-electric reefer intended for use in multimodal operations where rail is featured. The cost of moving temperature-controlled cargoes over long distances by road is ever rising but rail is rarely an alternative since very few train operators can provide a reliable power supply for all-electric reefers.

This special diesel-electric power unit incorporates a 800-litre diesel tank, offering road users a sole and strategic advantage, plus the opportunity to carry goods such as meat and wine all year round.

The incorporated special designed large diesel tank is more than sufficient for a 10,000 kilometre journey and to carry goods up to 20 days from China to Europe and vice versa.

On top, an advance track and trace system is put in place to control and record the temperature including position of the container, as well as any door opening with real time alerts. This guarantees visibility and recording of all transport data from beginning to end.

Good distribution of air throughout the container is very important to reach an effective and constant temperature control. The reefer is equipped with an air duct system which

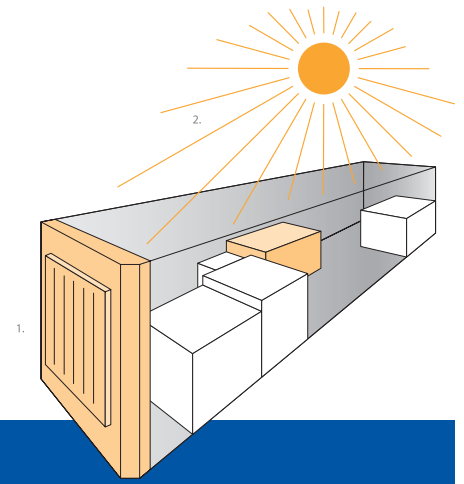
evenly distributes the air output from the refrigeration unit into the container, making sure all products are at the right temperature.

The combination of the holes, the side openings and the large open end in the air duct assure an even distribution of temperature controlled air throughout the container. The air duct is made of special material to prevent from breaking due to the large difference in temperature caused by the refrigeration unit or the influence from the outside of the container.

The reefers also feature aluminium flat floors. Optional are the lashing eyes in the side walls and the double stack system.

REEFER UNIT SPECIFICATIONS

1. built-in refrigeration system that saves cargo space
2. energy-saving technology guarantees maximum refrigeration capacity



DIESEL-ELECTRIC REFRIGERATED CONTAINER

external dimensions

length: 13716 mm
width: 2556 mm
height: 2896 mm

internal dimensions

length: 13233 mm
width: 2437 mm
height: 2575 mm
(first row pallets
max. 1590mm)

door opening

door width: 2436 mm
door height: 2540 mm

capacity

80 m³ europallet (1200mm x 800mm) 33
iso pallet (1200mm x 1000mm) 26

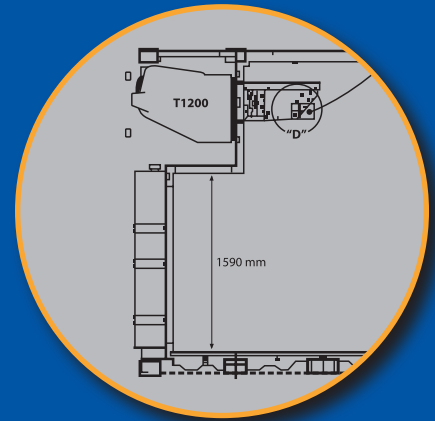
ratings

max. gross weight: 34000 kgs

tare weight: 7445 kgs
(incl. cooling unit
and full fuel tank)

max. payload: 26555 kgs

capacity fuel tank: 800 ltr



- ADVANCED TRACK & TRACE SYSTEM WITH SENSOR
- SPECIAL AIR DUCT SYSTEM
- OPTIONAL LASHING EYES IN THE SIDE WALLS
- OPTIONAL DOUBLE STACK SYSTEM