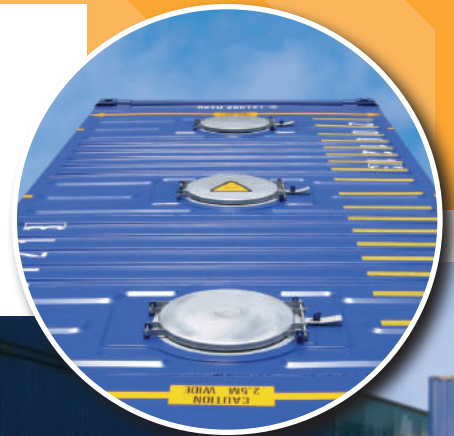


# BULK

## UNIT45

INTERMODAL INNOVATORS



## 20FT, 30FT & 45FT PALLETWIDE BULK CONTAINERS

In addition to the 45ft bulk container, UNIT45 is offering 20ft and 30ft palletwide bulk containers suited to road and rail transport. All bulk container designs can also accommodate general cargo including palletised goods, thus reducing the need for empty backhauls.

UNIT45 designed the 45ft bulk container for special applications where the principal traffic is either very light or is being moved solely by water, in which case its 40-tonne payload capability can be fully exploited. However, most bulk movements involve road transport and are therefore subject

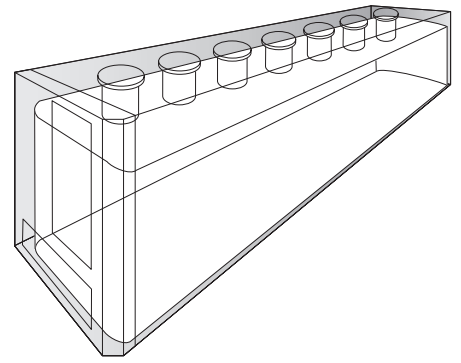
to 40-tonne or 44-tonne maximum gross weight restrictions. In such cases, the 45ft bulk container offers too great a volume and 20ft or 30ft units are more appropriate. The same operational benefits can be realised when transported by rail. 60ft rail wagons can carry two 30s or three 20s, 90ft wagons three 30s or four 20s, subject of course to payload restrictions.

All bulk designs are fitted with a 'letterbox' discharge hatch, enabling them to be discharged using tipping trailers. Conventional double doors are fitted to the other end of

all the bulk containers in our fleet. Stainless steel hatches are provided for top loading. When used for the backhaul of palletised or non-palletised general cargo, operators will find these shorter units ideal for heavy commodities or for smaller consignments that would not fill a 45ft unit.

UNIT45 notes that many of its customers are now using bulk containers to store product during stages of the logistics cycle rather than go to the expense of discharging the containers into silos and later reloading road vehicles for final delivery.

# 20 FT, 30 FT & 45 FT BULK UNIT SPECIFICATIONS



## 20FT BULK CONTAINER

### external dimensions

length: 6058 mm  
width: 2500 mm  
height: 2743 mm

### internal dimensions

length: 5898 mm  
width: 2438 mm  
height: 2518 mm

### bulk door opening

bulk door width: 1072 mm

bulk door height: 1832 mm

### discharge hatch

hatch width: 2144 mm

hatch height: 4000 mm

### capacity

36,3 m<sup>3</sup>

### ratings

max. gross weight: 32000 kgs      max. payload: 29530 kgs  
tare weight: 2470 kgs

3 or 4 loading hatches ø 500 mm

## 30FT BULK CONTAINER

### external dimensions

length: 9125 mm  
width: 2500 mm  
height: 2743 mm

### internal dimensions

length: 8913 mm  
width: 2438 mm  
height: 2526 mm

### door opening

door width: 2416 mm

door height: 2432 mm

### bulk door opening

bulk door width: 1072 mm

bulk door height: 1832 mm

### discharge hatch

hatch width: 2144 mm

hatch height: 4000 mm

### capacity

54,8 m<sup>3</sup>

### ratings

max. gross weight: 30480 kgs      max. payload: 27120 kgs  
tare weight: 3360 kgs

4 loading hatches ø 500 mm

## 45FT BULK CONTAINER

### external dimensions

length: 13716 mm  
width: 2500 mm  
height: 2896 mm

### internal dimensions

length: 13506 mm  
width: 2438 mm  
height: 2679 mm

### door opening

door width: 2416 mm

door height: 2585 mm

### discharge hatch

hatch width: 1748 mm

hatch height: 4000 mm

### capacity

88,2 m<sup>3</sup>

### ratings

max. gross weight: 45200 kgs      max. payload: 40000 kgs  
tare weight: 5200 kgs

7 loading hatches ø 500 mm

- STAINLESS STEEL ROOF & DISCHARGE HATCHES