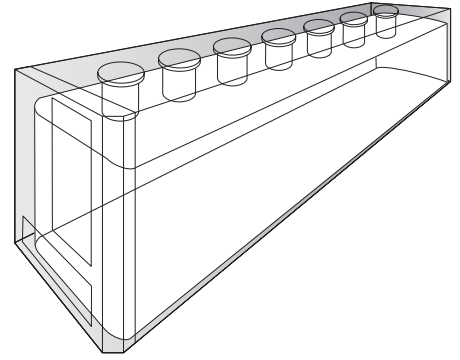


# 20 FT, 30 FT & 45 FT BULK UNIT SPECIFICATIONS



## 20FT BULK CONTAINER

### external dimensions

length: 6058 mm  
width: 2500 mm  
height: 2743 mm

### internal dimensions

length: 5898 mm  
width: 2438 mm  
height: 2518 mm

### bulk door opening

bulk door width: 1072 mm

bulk door height: 1832 mm

### discharge hatch

hatch width: 2144 mm

hatch height: 4000 mm

### capacity

36,3 m<sup>3</sup>

### ratings

max. gross weight: 32000 kgs      max. payload: 29530 kgs  
tare weight: 2470 kgs

3 or 4 loading hatches ø 500 mm

## 30FT BULK CONTAINER

### external dimensions

length: 9125 mm  
width: 2500 mm  
height: 2743 mm

### internal dimensions

length: 8913 mm  
width: 2438 mm  
height: 2526 mm

### door opening

door width: 2416 mm

door height: 2432 mm

### bulk door opening

bulk door width: 1072 mm

bulk door height: 1832 mm

### discharge hatch

hatch width: 2144 mm

hatch height: 4000 mm

### capacity

54,8 m<sup>3</sup>

### ratings

max. gross weight: 30480 kgs      max. payload: 27120 kgs  
tare weight: 3360 kgs

4 loading hatches ø 500 mm

## 45FT BULK CONTAINER

### external dimensions

length: 13716 mm  
width: 2500 mm  
height: 2896 mm

### internal dimensions

length: 13506 mm  
width: 2438 mm  
height: 2679 mm

### door opening

door width: 2416 mm

door height: 2585 mm

### discharge hatch

hatch width: 1748 mm

hatch height: 4000 mm

### capacity

88,2 m<sup>3</sup>

### ratings

max. gross weight: 45200 kgs      max. payload: 40000 kgs  
tare weight: 5200 kgs

7 loading hatches ø 500 mm

- STAINLESS STEEL ROOF & DISCHARGE HATCHES