

MODULAR GRANDSTANDS

UNIT45

INTERMODAL INNOVATORS



MODULAR GRANDSTAND CONTAINERS

UNIT45 has developed a modular grandstand system compatible with the container infrastructure.

The 40ft standard grandstand container has 66 covered seats and can be extended as well in length as in height up to 2 levels in total.

Sport clubs want to offer the spectators comfortable and covered seats with a good view of the playing field. UNIT45 offers the

grandstand for purchase or hire-purchase. A long term rental contract with a purchase option reduces initial investment costs and offers a sport club immediately covered grandstand solution for their main field.

The capacity of the grandstand can be extended giving you the opportunity to start small but also expand over time. The grandstands are built using high strength steel assuring a long lifetime.

UNIT45's modular grandstand system is the best solution for realizing (covered) seats due to the short set-up time meaning you can start implementing the grandstands today!

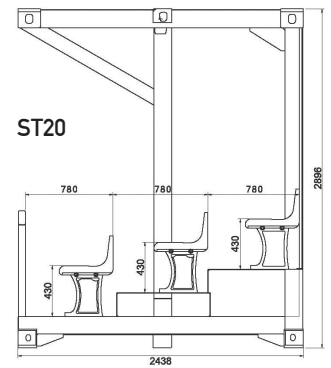


MORE INFO

GRANDSTAND CONTAINER SPECIFICATIONS



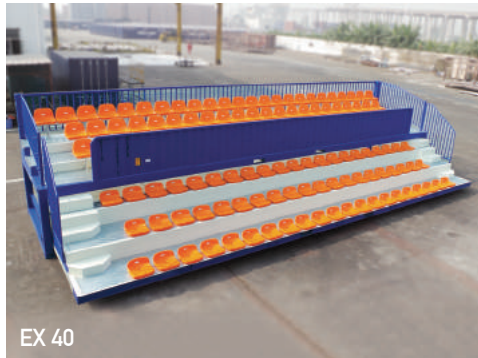
ST20



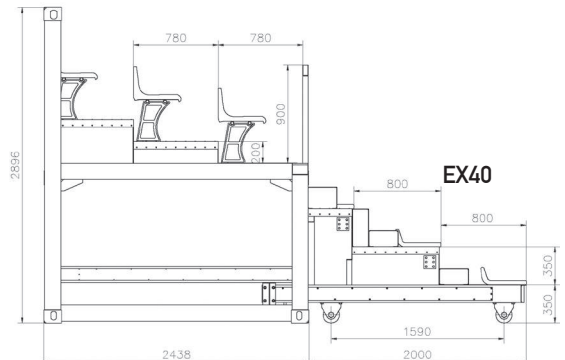
STANDARD/ MULTILEVEL GRANDSTAND CONTAINER

Specifications

ST & ML Range	ST20	ST40	ML40
Length [mm]	6058	12192	12192
Width [mm]	2438	2438	2438
Height [mm]	2896	2896	2896
Weight [kg]	2250	3950	4150
1 Level [Seats]	32	66	62
2 Levels [Seats]	-	-	120
Covered [Yes/No]	Yes	Yes	Yes



EX 40



EXTRACTABLE GRANDSTAND CONTAINER

Specifications

EX Range	EX40
Length [mm]	12192
Width [mm]	4438
Height [mm]	2896
Weight [kg]	3525
Capacity [Seats]	134
Covered [Yes/No]	No

- PURCHASE OR LONG TERM RENT WITH A PURCHASE OPTION
- STANDARD COLOR BLUE RAL 5002 WITH ORANGE SEATS